

# RECOMMENDED MOUNTING INSTRUCTIONS

## For Light Series CAV1248-X or CAV120-X

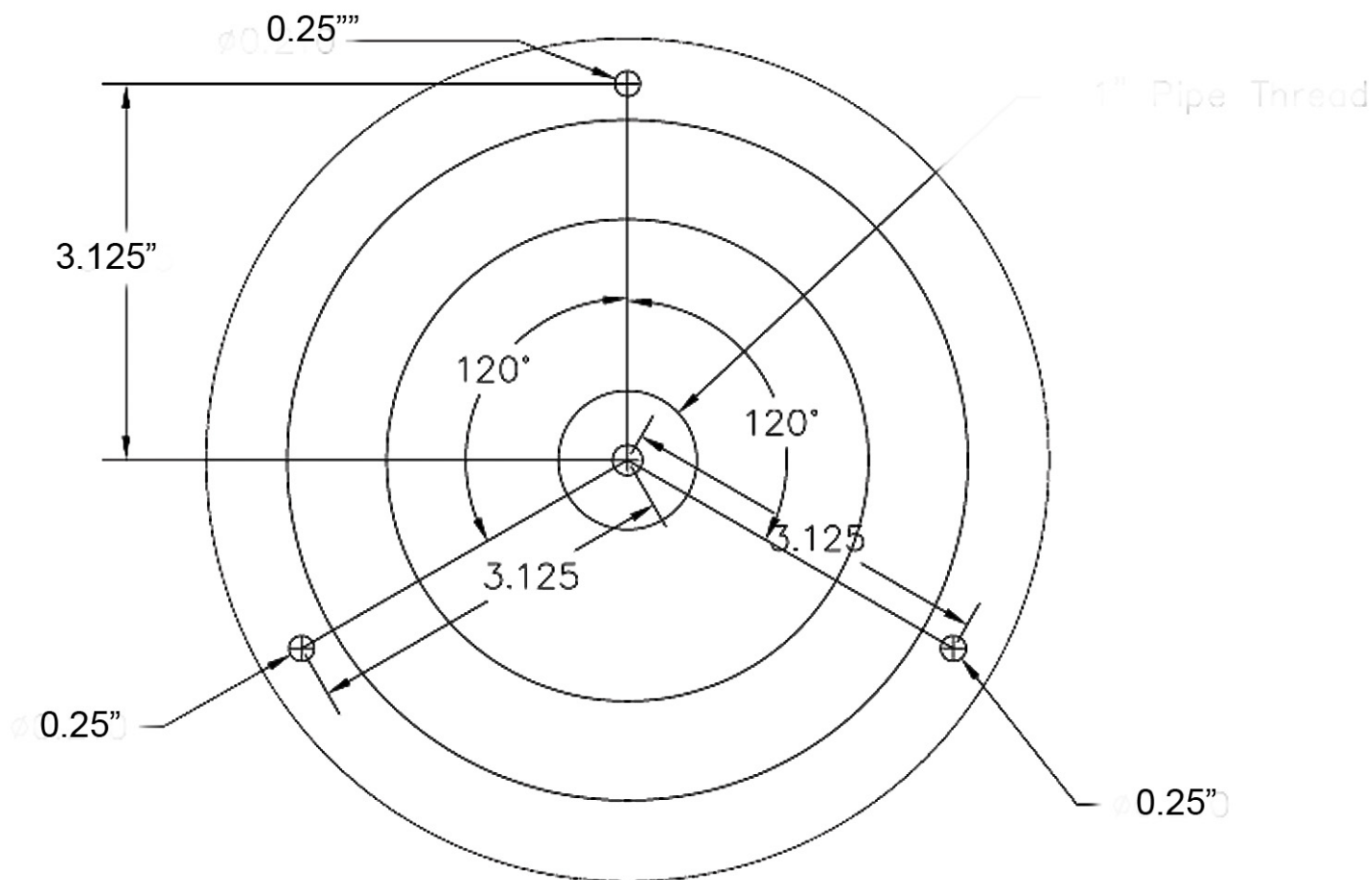
**\*\*\*Proper installation of this product is the sole responsibility of the installer\*\*\***

Part # **CAV1248-X**, for use on vehicles

1. Locate a flat surface on vehicle and position light parallel to the ground.
2. Use measurements from drawing below to indicate mounting holes or use bolts on light
3. In the interior of the vehicle, loosen upholstery at mounting location.
4. Use center-punch if available to start three (3) mounting holes
5. Drill the three holes out using a 1/4" drill bit.
6. Insert wire through center hole (X) and position mounting bolts in holes.
7. Connect **Red wire** to power (+) for strobe, and **Green wire** to power (+) for piezo (beep)
8. Red and Green wires may be wired together or separately using a switch
9. Connect **black wire** to ground (-)
10. Install washers and hex nuts and tighten down mounting bolts evenly

Part # **CAV120-X**, for stationary applications

1. Find an appropriate position for the CAV120-X to be installed, recommended position is upright, as if it is being installed on a vehicle.
2. Use measurements from drawing below to indicate mounting holes or use bolts on light
3. Connect **Black wire** to neutral, connect individual **White wires** to power
4. Install washers and hex nuts and tighten down mounting bolts evenly



DRAWING NOT TO SCALE

**\*\*\*\*\*CLEAN LENS WITH WATER ONLY\*\*\*\*\***